

## TS-XPBL-332710-40D 10Gb/s BIDI SFP+ Transceiver

### PRODUCT FEATURES

- Up to 10.7Gbps Data Links
- Up to 40km transmission on SMF
- Power dissipation<1.5W
- 1330nm DFB laser and PIN receiver
- EEPROM with Serial ID Functionality
- Single Mode LC Receptacle Bi-directional Transceiver
- 2-wire interface with integrated Digital Diagnostic monitoring
- Compliant with SFP+ MSA with duplex LC connector
- Single + 3.3V Power Supply
- Case operating temperature: -5 ℃~+70 ℃



### APPLICATIONS

- 10GBASE-BX at 10.3125 Gb/s
- 10GBASE-BX at 9.953 Gb/s

### STANDARD

- Compliant with SFF-8472 SFP+ MSA.
- Compliant to SFP+ SFF-8431 and SFF-8432.
- Compliant to 802.3ae 10GBASE-LR.
- RoHS Compliant.

## PRODUCT DESCRIPTION

TS-XPBL-332710-40D is hot pluggable 3.3V Small-Form-Factor transceiver module. It designed expressly for high-speed communication applications that require rates up to 10.7Gb/s, it designed to be compliant with SFF-8472 SFP+ MSA. The module data link up to 40km in 9/125um single mode fiber. The optical output can be disabled by a LVTTTL logic high-level input of Tx Disable. Tx Fault is provided to indicate that degradation of the laser. Loss of signal (LOS) output is provided to indicate the loss of an input optical signal of receiver or the link status with partner.

### I . Absolute Maximum Ratings

Parameter	Symbol	Min.	Typ.	Max.	Unit	Note
Storage Temperature	Ts	-40	-	85	℃	
Storage Ambient Humidity	HA	5	-	95	%	
Operating Relative Humidity	RH	-	-	85	%	
Power Supply Voltage	VCC	-0.3	-	4	V	
Signal Input Voltage		Vcc-0.3	-	Vcc+0.3	V	

### II. Recommended Operating Conditions

Parameter	Symbol	Min.	Typ.	Max.	Unit	Note
Case Operating Temperature	Tcase	-5	-	70	℃	Without air flow
Power Supply Voltage	VCC	3.14	3.3	3.47	V	
Power Supply Current	ICC	-	300	450	mA	
Data Rate	BR		10.3125		Gbps	
Transmission Distance	TD			40	km	Note (1)
Coupled fiber		Single mode fiber				ITU-T G.652

Note: Measured with SMF

### III. Optical Characteristics

Parameter	Symbol	Min.	Typ.	Max.	Unit	Note	
<b>Transmitter</b>							
Average Launched Power	PO	-1	-	+4	dBm		
Average Launched Power(Laser Off)	POUT-OFF	-	-	-40	dBm	Note (1)	
Center Wavelength Range	$\lambda_C$	1320	1330	1340	nm		
Side mode suppression ratio	SMSR	30	-	-	dB		
Spectrum Bandwidth(-20dB)	$\sigma$	-	-	1	nm		
Extinction Ratio	ER	3.5		-	dB	Note (2)	
Output Eye Mask		Compliant with IEEE 0802.3ae					Note (2)
<b>Receiver</b>							

Input Optical Wavelength	$\lambda$ IN	1260	1270	1280	nm	
Receiver Sensitivity in average	PIN	-	-	-15	dBm	Note (1)
Input Saturation Power (Overload)	PSAT	0.5	-	-	dBm	Note (1)
LOS -Assert Power	PA	-30	-	-	dBm	
LOS -Deassert Power	PD	-	-	-17	dBm	
LOS -Hysteresis	PHys	0.5	-	5	dB	

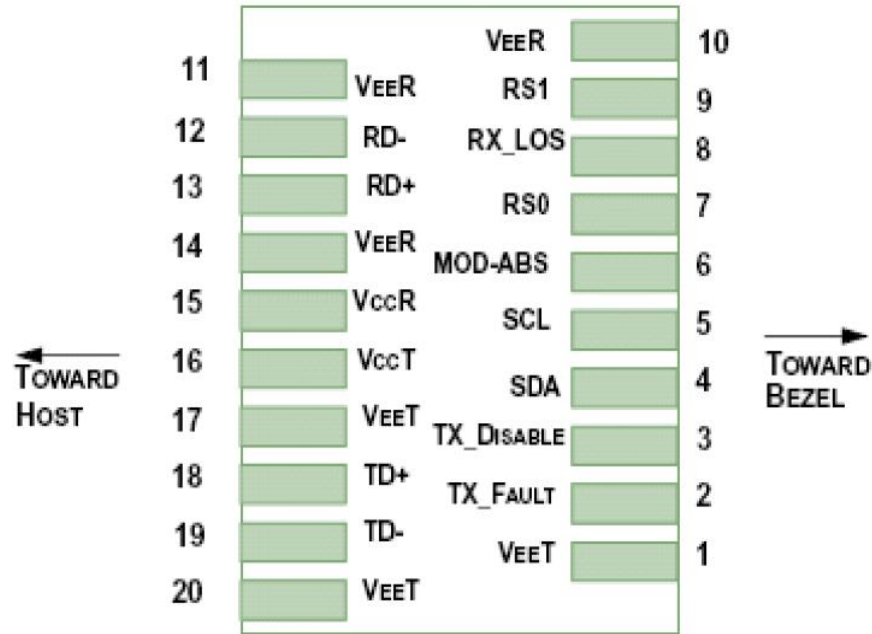
Note:

1. The optical power is launched into SMF
2. Measured with RPBS 2<sup>31</sup>-1 test pattern @10.3125Gbs
3. Measured with RPBS 2<sup>31</sup>-1 test pattern @10.3125Gbs BER=<10<sup>-12</sup>

#### IV. Electrical Interface Characteristics

Parameter	Symbol	Min.	Typ.	Max.	Unit	Note
Total power supply current	Icc	-	300	450	mA	
<b>Transmitter</b>						
Differential Data Input Voltage	VDT	180	-	700	mVp-p	
Differential line input Impedance	RIN	85	100	115	Ohm	
Transmitter Fault Output-High	VFaultH	2.4	-	Vcc	V	
Transmitter Fault Output-Low	VFaultL	-0.3	-	0.8	V	
Transmitter Disable Voltage- High	VDisH	2	-	Vcc+0.3	V	
Transmitter Disable Voltage- low	VDisL	-0.3	-	0.8	V	
<b>Receiver</b>						
Differential Data Output Voltage	VDR	300	-	850	mVp-p	
Differential line Output Impedance	ROUT	80	100	120	Ohm	
Receiver LOS Pull up Resistor	RLOS	4.7	-	10	KOhm	
Data Output Rise/Fall time	tr/tf		-	38	ps	
LOS Output Voltage-High	VLOSH	2	-	Vcc	V	
LOS Output Voltage-Low	VLOSL	-0.3	-	0.4	V	

#### V. Pin Description



**Diagram of Host Board Connector Block Pin Numbers and Name**

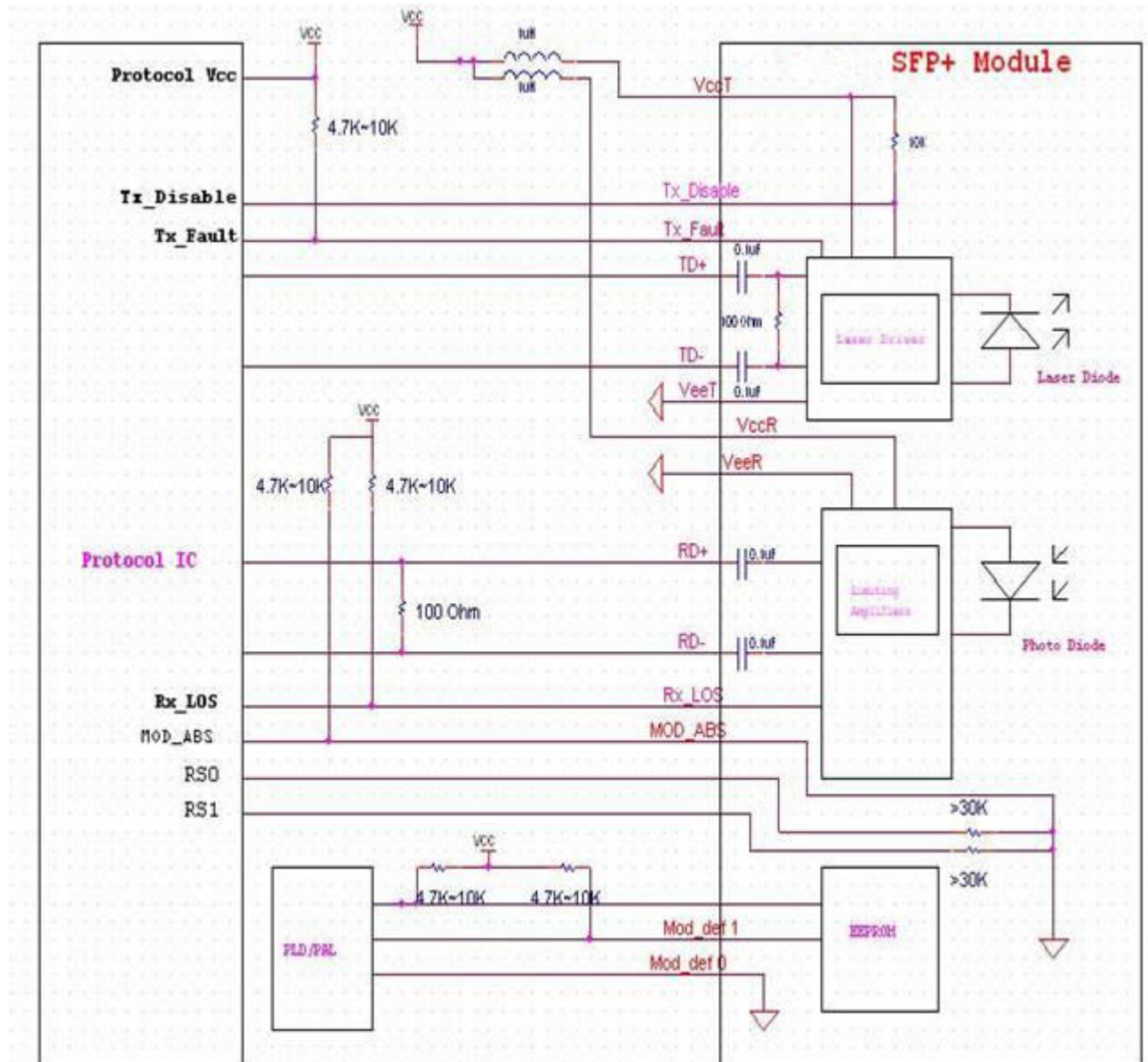
Pin	Symbol	Name/Description	Ref.
1	$V_{EET}$	Transmitter Ground (Common with Receiver Ground)	1
2	$T_{FAULT}$	Transmitter Fault.	2
3	$T_{DIS}$	Transmitter Disable. Laser output disabled on high or open.	3
4	SDA	2-wire Serial Interface Data Line	4
5	SCL	2-wire Serial Interface Clock Line	4
6	MOD_ABS	Module Absent. Grounded within the module	4
7	RS0	Rate Select 0	5
8	LOS	Loss of Signal indication. Logic 0 indicates normal operation.	6
9	RS1	No connection required	1
10	$V_{EER}$	Receiver Ground (Common with Transmitter Ground)	1
11	$V_{EER}$	Receiver Ground (Common with Transmitter Ground)	1
12	RD-	Receiver Inverted DATA out. AC Coupled	
13	RD+	Receiver Non-inverted DATA out. AC Coupled	
14	$V_{EER}$	Receiver Ground (Common with Transmitter Ground)	1
15	$V_{CCR}$	Receiver Power Supply	
16	$V_{CCT}$	Transmitter Power Supply	
17	$V_{EET}$	Transmitter Ground (Common with Receiver Ground)	1
18	TD+	Transmitter Non-Inverted DATA in. AC Coupled.	
19	TD-	Transmitter Inverted DATA in. AC Coupled.	
20	$V_{EET}$	Transmitter Ground (Common with Receiver Ground)	1

**Notes:**

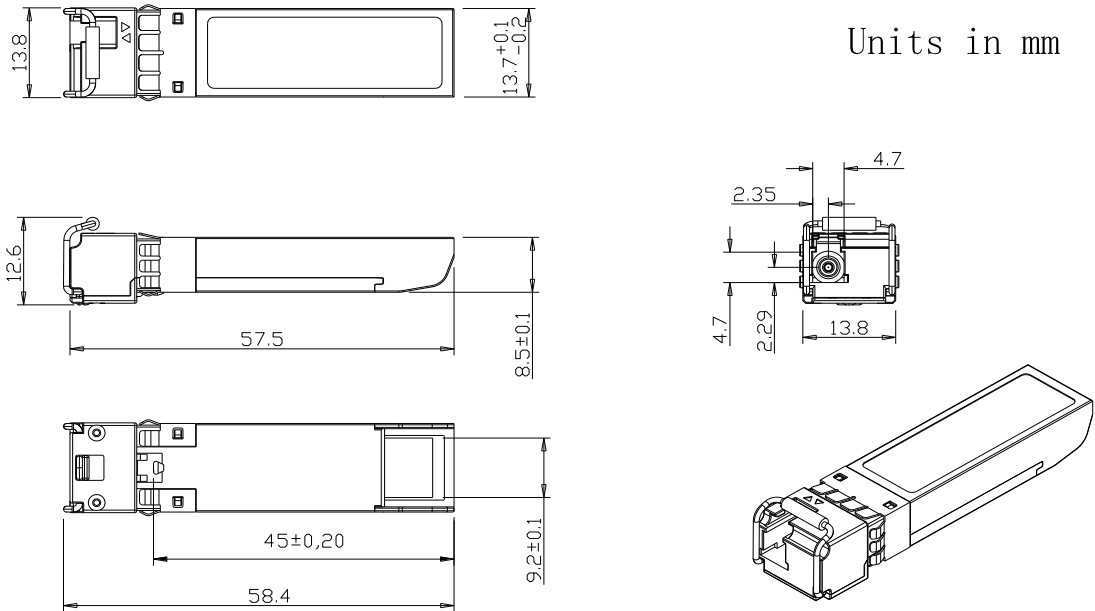
1. Circuit ground is internally isolated from chassis ground.
2.  $T_{FAULT}$  is an open collector/drain output, which should be pulled up with a 4.7k – 10k Ohms resistor on the host board if intended for use. Pull up voltage should be between 2.0V to  $V_{cc} + 0.3V$ . A high output indicates a transmitter fault caused by either the TX bias current or the TX output power exceeding the preset alarm

- thresholds. A low output indicates normal operation. In the low state, the output is pulled to  $<0.8V$ .
3. Laser output disabled on  $T_{DIS} > 2.0V$  or open, enabled on  $T_{DIS} < 0.8V$ .
  4. Should be pulled up with  $4.7k\Omega$ -  $10k\Omega$  host board to a voltage between  $2.0V$  and  $3.6V$ . MOD\_ABS pulls line low to indicate module is plugged in.
  5. Internally pulled down per SFF-8431 Rev 4.1.
  6. LOS is open collector output. It should be pulled up with  $4.7k\Omega$  –  $10k\Omega$  on host board to a voltage between  $2.0V$  and  $3.6V$ . Logic 0 indicates normal operation; logic 1 indicates loss of signal.

## VI. Recommended Interface Circuit



## VII. Outline Dimensions



## VIII. Regulatory Compliance

Feature	Reference	Performance
Electrostatic discharge (ESD)	IEC/EN 61000-4-2	Compatible with standards
Electromagnetic Interference (EMI)	FCC Part 15 Class B EN 55022 Class B (CISPR 22A)	Compatible with standards
Laser Eye Safety	FDA 21CFR 1040.10, 1040.11 IEC/EN 60825-1, 2	Class 1 laser product
Component Recognition	IEC/EN 60950 , UL	Compatible with standards
ROHS	2002/95/EC	Compatible with standards
EMC	EN61000-3	Compatible with standards

## Appendix A. Document Revision

Version No.	Date	Description
1.0	2010-09-01	Preliminary datasheet
2.0	2011-09-10	Update format and company's logo