

25Gbps 850nm Multimode SFP28 Active Optical Cable

Description

Transcom SFP28 Active Optical Cables are direct-attach fiber assemblies with SFP28 connectors. They are suitable for very short distances and offer a cost-effective way to connect within racks and across adjacent racks.

This 25Gbps 850nm Multimode SFP28 Active Optical Cable is a single-Channel, Pluggable, Fiber-Optic SFP28 for 25 Gigabit Ethernet and Infiniband EDR Applications. It is a high performance module for short-range data communication and interconnect applications which operate at 25.78125 Gbps up to 70 m using OM3 fiber or 100 m using OM4 fiber. This module is designed to operate over multimode fiber systems using a nominal wavelength of 850nm. The electrical interface uses a 20 contact edge type connector.

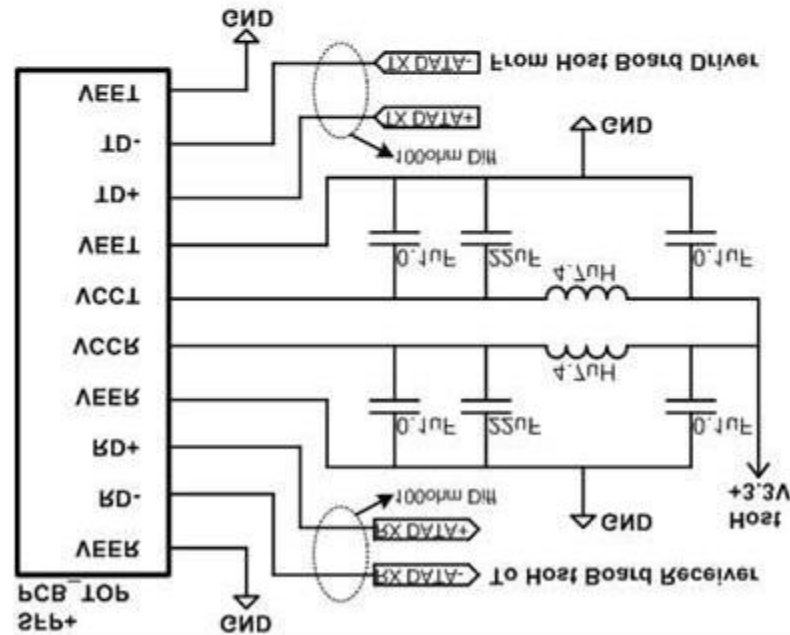
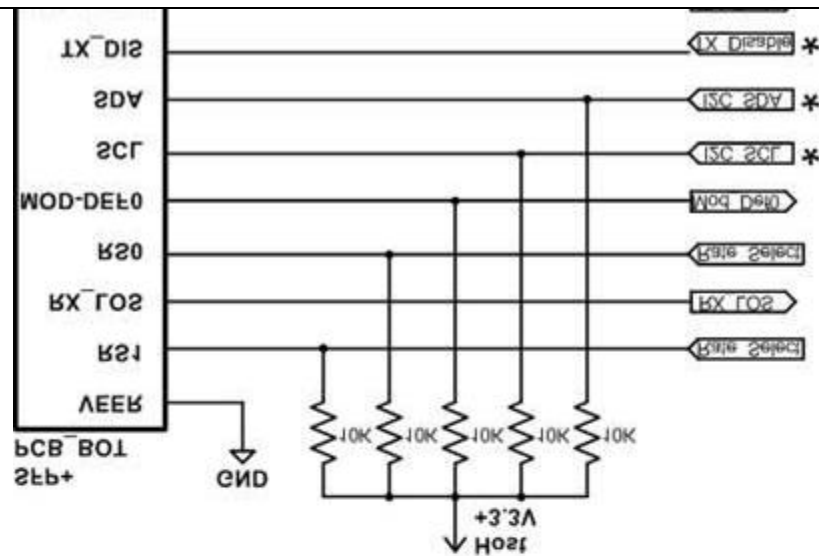
Features

- Hot-pluggable SFP28 form factor
 - Supports 25Gbps data rate
 - Maximum link length of 70m on OM3 MMF and 100m on OM4 MMF
 - 850nm VCSEL laser and PIN photo-detector
 - Internal CDR on both Transmitter and Receiver channel
 - Single 3.3V power supply
 - Power dissipation < 1W
 - Digital diagnostics functions are available via the I2C interface
 - RoHS-6 compliant
 - Commercial case temperature range: 0°C to 70°C
-

Applications

- 25GBASE-SR Ethernet
-

Recommended Interface Ciucuit



Mechanical Dimensions

