

QSFP active optic cables

Description

QSFP active optic cables are a high performance, low power consumption, long reach interconnect solution supporting 40G Ethernet, fiber channel and PCIe. It is compliant with the QSFP MSA and IEEE P802.3ba 40GBASE-SR4. QSFP AOC is an assembly of 4 full-duplex lanes, where each lane is capable of transmitting data at rates up to 10Gb/s, providing an aggregated rate of 40Gb/s.

Features

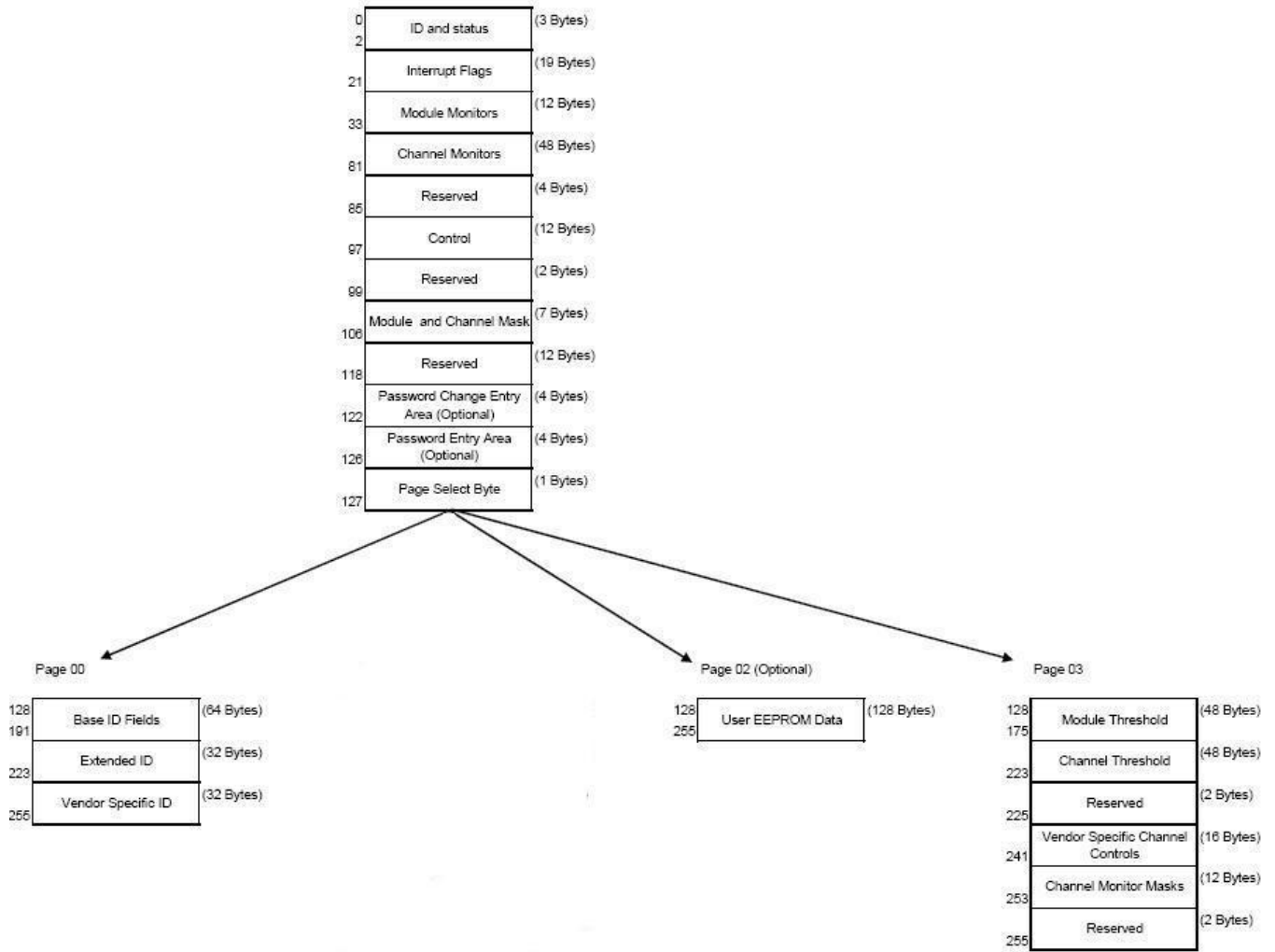
- Full duplex 4 channel 850nm parallel active optical cable
 - Transmission data rate up to 10.3Gbit/s per channel
 - SFF-8436 QSFP+ compliant
 - Hot pluggable electrical interface
 - Differential AC-coupled high speed data interface
 - 4 channels 850nm VCSEL array
 - 4 channels PIN photo detector array
 - Maximum link length of 300m on OM3 Multimode Fiber (MMF) and 400m on OM4 MMF
 - Low power consumption <1.5W
 - Operating case temperature 0°C to +70°C
 - 3.3V power supply voltage
 - RoHS compliant
-

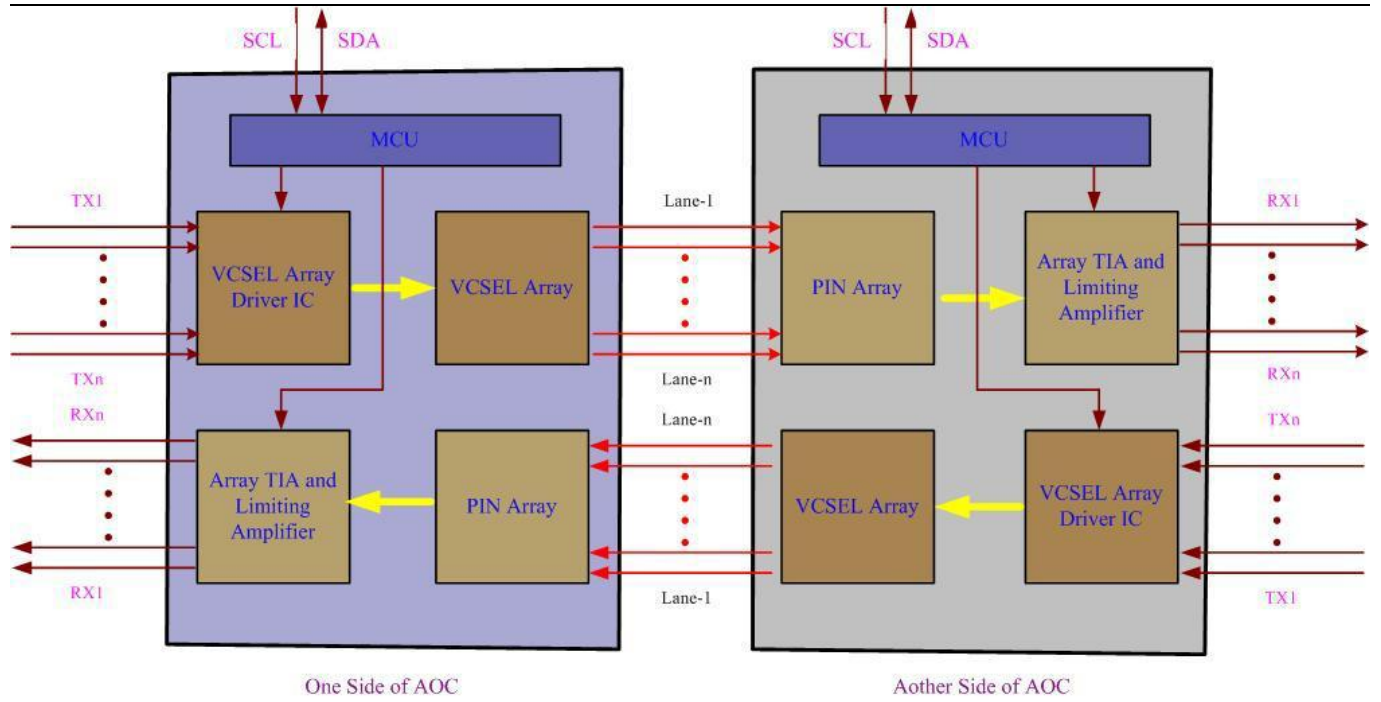
Applications

- Infiniband transmission at 4ch SDR, DDR and QDR
 - 40GBASE-SR4 40G Ethernet
 - Data Centers
-

QSFP Memory Map

2-wire serial address, 1010000x (ADh)"





Mechanical Dimensions

